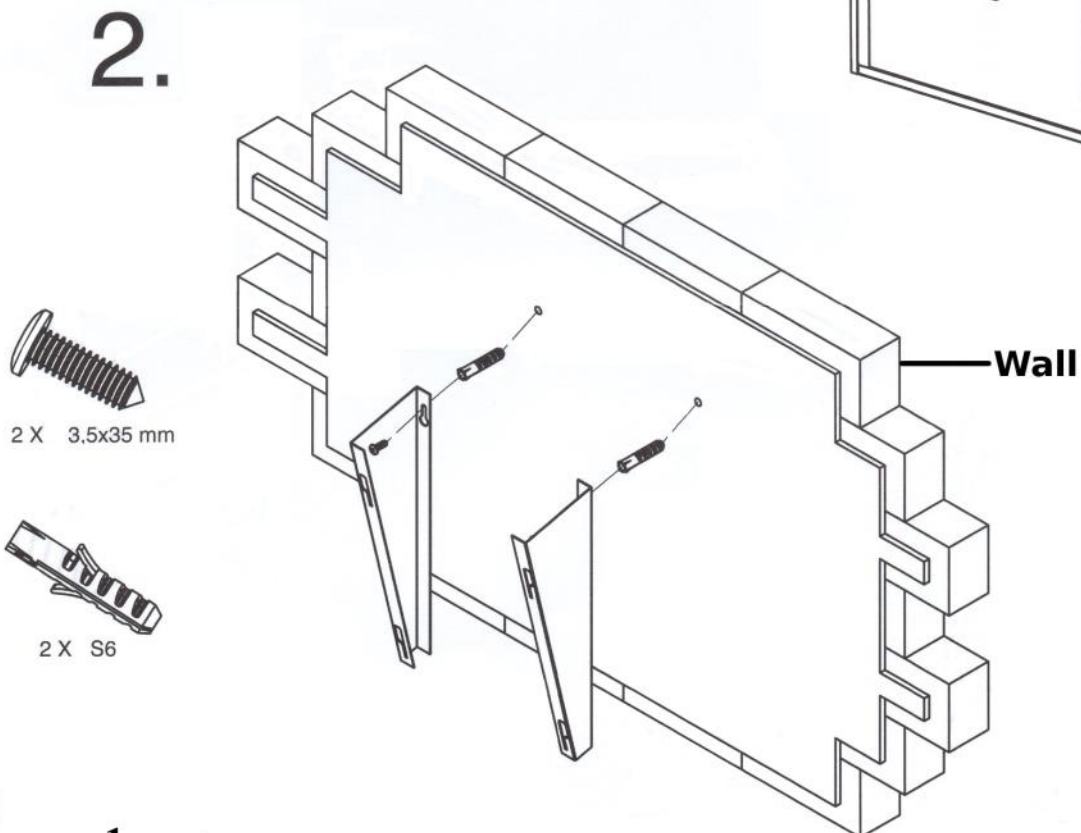
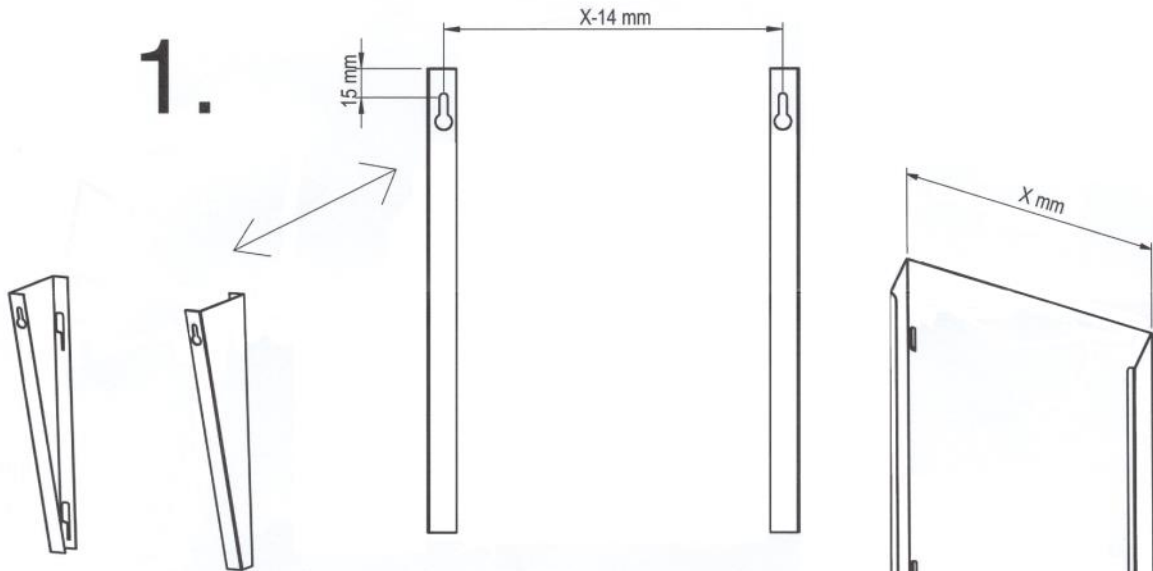
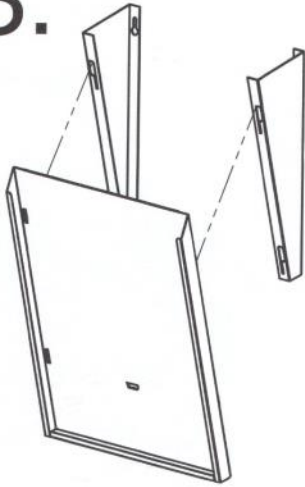


# Assembly Instructions

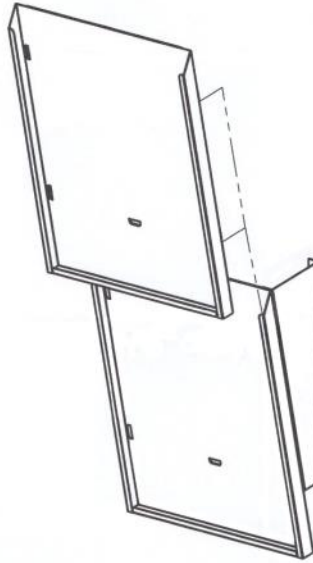
## Wall Fittings (Top Pocket)



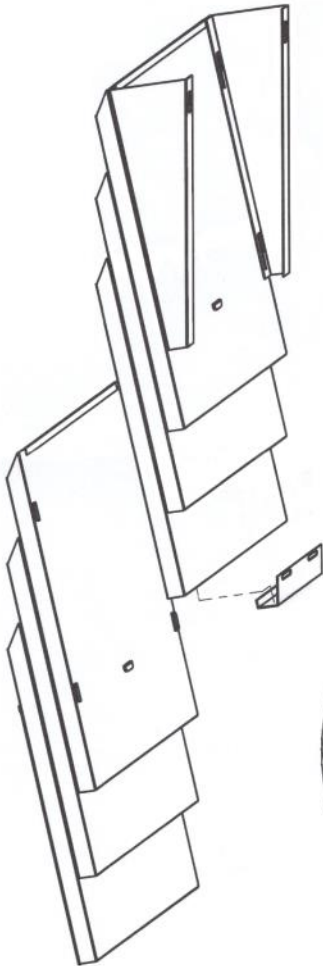
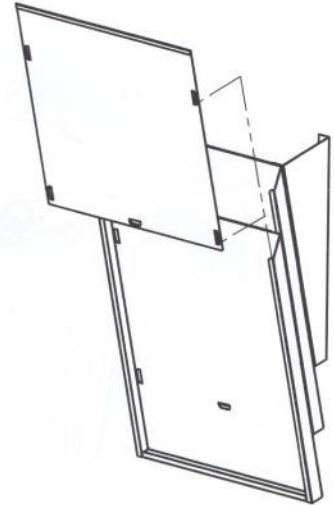
3.



4.



5.



**Attach Support  
Bracket to Untis Over  
6 Pockets Deep**

